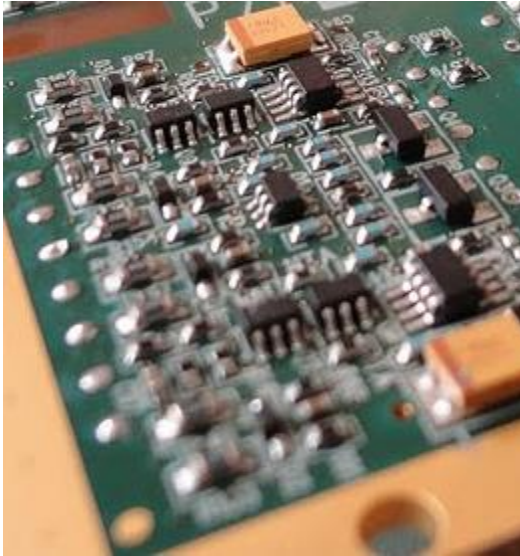


# MIL-STD-1553, H009 Transceiver Design



## DES1553XVR

### MIL-STD-1553, H009 Discrete Components Transceiver Design

**Compact, Robust, Reliable  
MIL-STD-IP-Cores**

#### Compatibility

##### Mil-Std-1553:

- MIL-STD-1553B Notice 2 and 1760
- RT Validated according to test plan from MIL-HDBK-1553A
- 1Mbps Data Rate
- Connects to any transformer

##### Other Protocols:

- Mil-Std-1760
- H009
- WB-194

#### Deliverables

- Schematics, in PDF format
- Bill of Materials
- PCB Layout instructions
- PCB Layout example
- User's manual

#### More products from Sital:

- MIL-STD-1553 Components
- MIL-STD-1553 Boards
- MIL-STD-1553 Testers
- More IP Cores:
  - ARINC 429 IP Core
  - EBR 1553
  - H009, WB-194
  - CAN Bus

#### Sital Technology Ltd.

Tel: +972-9-7633300

Fax: +972-9-7663394

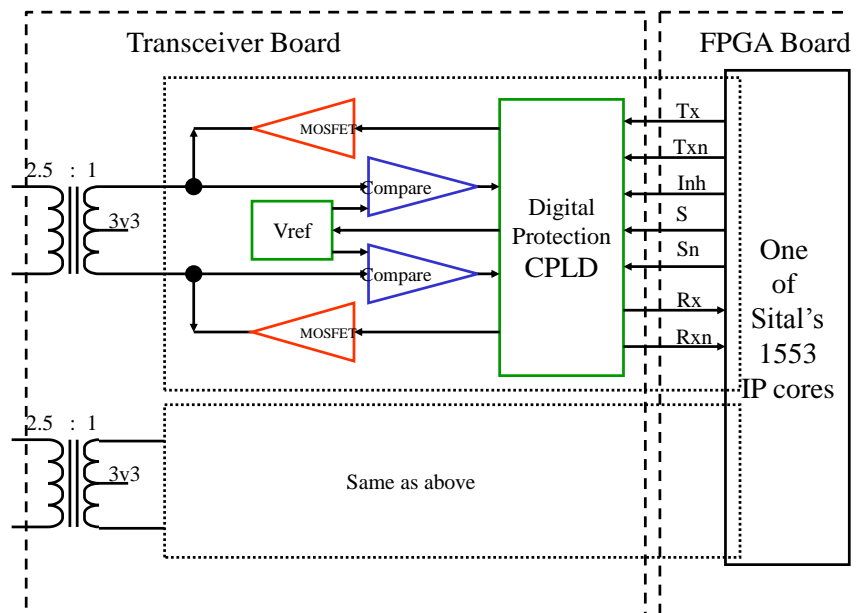
Email: [info@sitaltech.com](mailto:info@sitaltech.com)

Web: [www.sitaltech.com](http://www.sitaltech.com)



#### Key Features and Benefits

- Low cost – The bill of Materials (BOM) cost is typically less than ¼ of a single component transceiver (~\$20).
- Low power – The transmitter is built around a very efficient MOSFET gate. It is either on or off. When on, its resistance (Rds-on) is very low, thus the power it needs to dissipate is less than 0.25 watt. The overall power during transmit is less than 0.5 watt. During receive the power is just a few milli-watts.
- Vendor independent – The BOM is purchased by the end user and is composed of standard and common components.
- PCB Space – components can be placed with great flexibility on both sides of the PCB, and in places where a transceiver device would not fit.
- Flexibility – With a change in resistor values, the transceiver can serve other bus standards, such as the French Digibus.
- Availability – Components are always available from various vendors.



The DES1553XVR transceiver design is an analog front-end interface solution developed by Sital Technology to interface between Sital's digital IP core and the MIL-STD-1553 transformer and bus.

It serves as an alternative to commonly available transceiver components.

In addition to Mil-Std-1553 the exact same design can support also protocols like H009, Mil-Std-1760, WB-194 and others.

**SEALEVEL®**  
sealevel.com Phone 864.843.4343

Represented in USA by:

More information available at [www.sitaltech.com](http://www.sitaltech.com)